

SL - Series „Jumbo“ Male Headers

2,54mm pitch

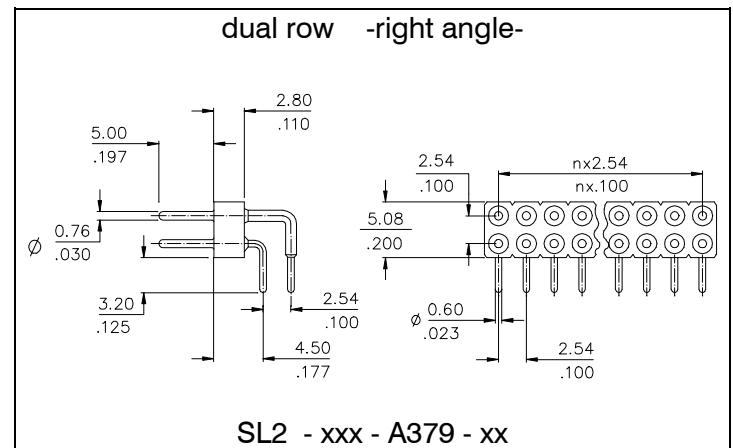
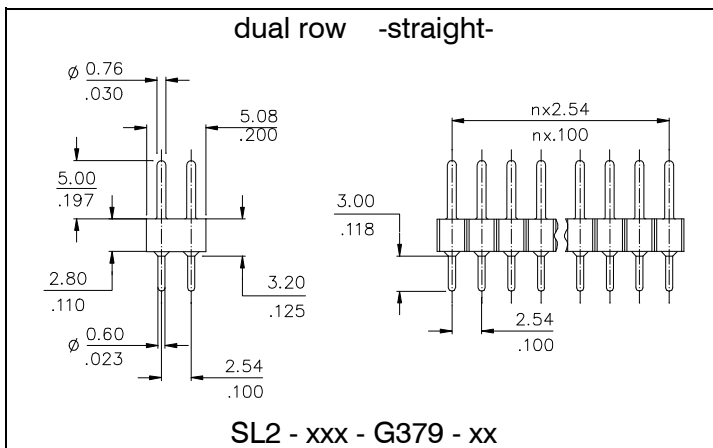
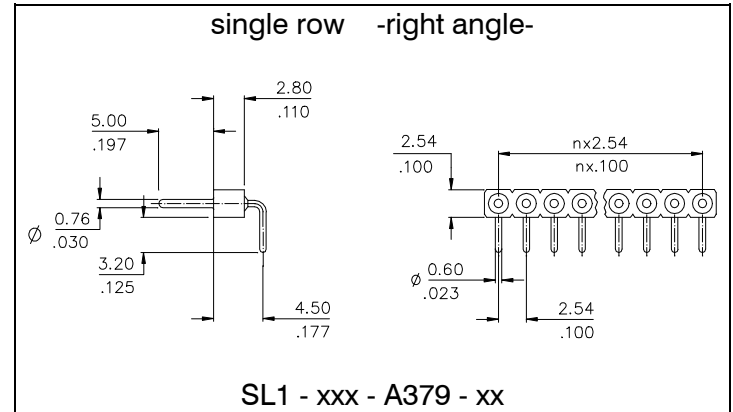
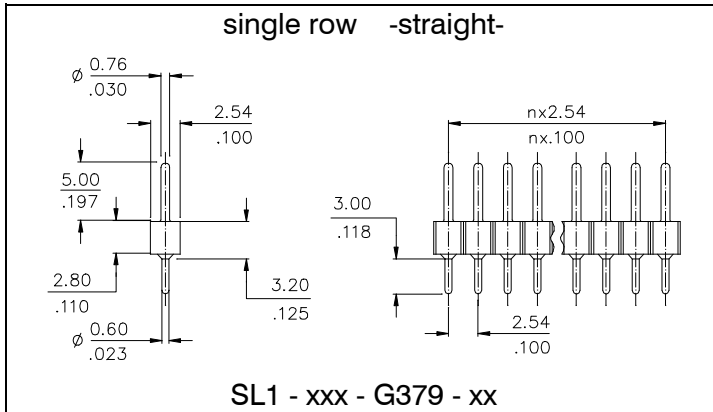
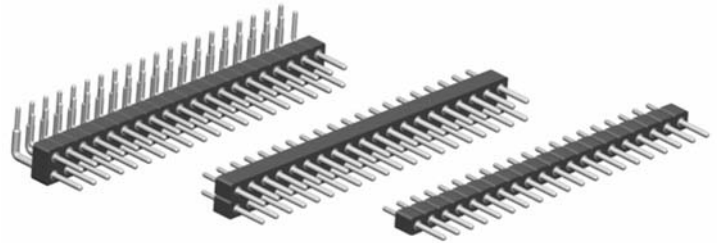


2,54mm pitch male header with precision turned „Jumbo“ pin, \varnothing 0,76mm / .030“, for board to board connections.

Mates with the „Jumbo Contact“ female headers shown in this catalogue.

The pin headers are stackable and available in single and double row version.

The pins are either completely gold or tin plated.



Specifications

Material

Insulator (RoHS compliant) high temp plastic UL 94 V-O
Terminal (RoHS compliant) CuZn

Operating temperature -55° C to +125° C

Electrical data

Insulation resistance 10⁴ M Ω min.
Breakdown voltage 500 V AC for 1 minute
Rated voltage 60 V RMS / 90 V DC
Contact resistance 30 m Ω / contact max.
Current rating 3 A max.

How to order

SLx - xxx - X 379 - xx

Series	
SL1	= single row.....
SL2	= dual row.....

Nbr of contacts	
.....	002 to 040
	064 on request only
.....	004 to 080 (straight style)
.....	004 to 072 (right angle style)

Terminal style	
G	= straight
A	= right angle

Plating	
- 99	= tin (tin leadfree)
- 55	= gold